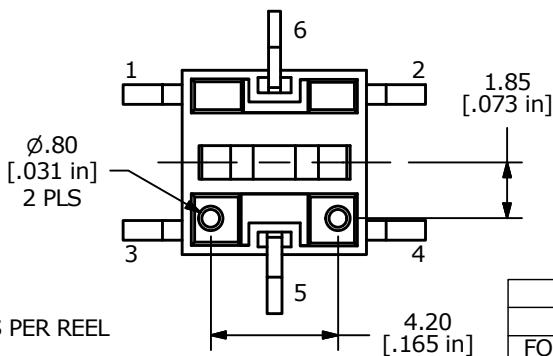
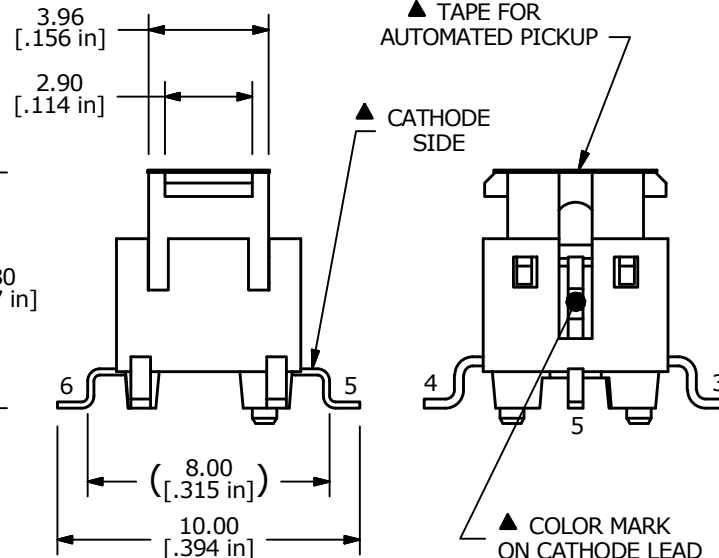
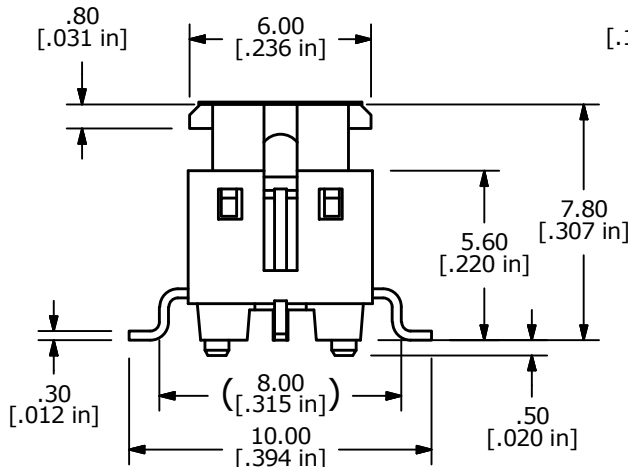
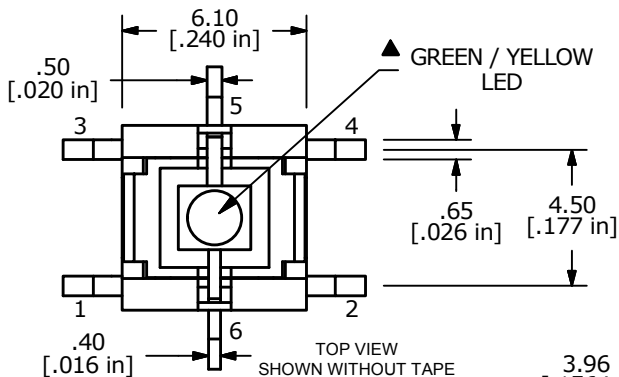


▲ CIRCUIT: SPST

NOTES:

1. ALL DIMENSIONS IN MM [INCH]
2. GENERAL TOLERANCE: X.X = ±0.4
X.XX = ±0.25
3. CONTACT RATING: 50mA @ 12VDC
4. CONTACT RESISTANCE: 100 mΩ MAX.
5. INSULATION RESISTANCE: 100MΩ MIN @ 500VDC.
- ▲ 6. OPERATING FORCE: 160 ± 50gf
7. TRAVEL: 0.2 ± 0.1mm
8. OPERATING TEMPERATURE: -25°C to +70°C
9. OPERATING LIFE: 500,000 CYCLES
- ▲ 10. LED: GREEN and YELLOW
11. ▲ DENOTES CRITICAL PARAMETERS
12. 2011/65/EU (ROHS) COMPLIANT
13. PARTS TO BE PACKAGED IN TAPE & REEL, 450 PIECES PER REEL



▲ LED SPECS	UNITS	GREEN	YELLOW
FORWARD CURRENT	mA	20	20
FORWARD VOLTAGE @ 20mA	V	2.0 TYP; 2.3 MAX	2.0 TYP; 2.3 MAX
LUMINOUS INTENSITY @ 20mA	mcd	550 TYP	1500 TYP

REV	PCR NO	DESCRIPTION	DATE	BY
D	22952	Term. 6 .40mm, Term. 5 .50mm	8/9/17	MW
C	22943	Add tape for automated pickup	7/27/17	MW
B	22522	update LED specs and Note 9	9/22/16	MW
A	20859	NEW RELEASE	11/1/12	EBP

E-SWITCH®				
TITLE TL3240F160GYT				
SCALE	DATE	DR	DWG	REV
4:1	11/1/2012	EBP	N324012	D